

**MOTOR SPECIFICATION SHEET**

MODEL : CNHM5-6125-21 (HT) (Motor model : SF-JRG 5HP 4P)

USED FOR : GEAR MOTOR

| DESCRIPTION                        | DETAIL  |     |     |     |  |
|------------------------------------|---|-----|-----|-----|--|
| PHASE                              | 3   |     |     |     |  |
| MODEL NAME                         | CNHM5-6125-21                                       |     |     |     |  |
| RATED OUTPUT, HP (kW)              | 5 (3.7)   |     |     |     |  |
| POLE                               | 4   |     |     |     |  |
| CODE                               | MEATH CODE : 1G1021-050N61253                       |     |     |     |  |
| OUTLINE DRAWING NO.                | OMM14O444-A   |     |     |     |  |
| RATED VOLTAGE (V)                  | 380   | 415 | 380 | 440 |  |
| RATED FREQUENCY (Hz)               | 50  | 50  | 60  | 60  |  |
| RATED CURRENT (A)                  | 7.9   | 7.7 | 7.8 | 7.2 |  |
| RATED SPEED (min <sup>-1</sup> ) * | 68  | 68  | 81  | 82  |  |
| THERMAL CLASS                      | 155(F)  |     |     |     |  |
| RATING                             | S1 (CONTINUOUS)                                     |     |     |     |  |
| ENCLOSURE CONSTRUCTION             | TOTALLY ENCLOSED FAN COOLED                         |     |     |     |  |
| DEGREES OF PROTECTION              | IP55  |     |     |     |  |
| METHOD OF COOLING                  | IC411   |     |     |     |  |
| FRAME NO.                          | 112M  |     |     |     |  |
| WEIGHT (kg)                        | 55  |     |     |     |  |
| STANDARD                           | IEC 60034-1, JEC-2137-2000                          |     |     |     |  |
| INSTALLATION                       | FOOT MOUNTED  |     |     |     |  |
| ROTATION                           | CCW (VIEWED FROM SHAFT END)                         |     |     |     |  |
| BEARING                            | LOAD SIDE : 6206ZZ                                  |     |     |     |  |
|                                    | OPPOSITE SIDE : 6206ZZ                              |     |     |     |  |
| BEARING GREASE                     | UREA GREASE   |     |     |     |  |
| CIRCUMSTANCE<br>CONDITION          | AMBIENT TEMPERATURE : -20 ~ +40°C                   |     |     |     |  |
|                                    | AMBIENT HUMIDITY : 95%RH OR LESS                    |     |     |     |  |
|                                    | ABOVE SEA LEVEL : 1000m OR LESS                     |     |     |     |  |
|                                    | ENVIRONMENT : NO BURSTING/EROSIVE GAS OR VAPOR      |     |     |     |  |
| COLOR                              | MUNSELL N5.5 (GRAY)                                 |     |     |     |  |
| TERMINAL BOX                       | NO. OF LEAD WIRES : 6                               |     |     |     |  |
|                                    | SOURCE CONNECTION : TERMINAL BLOCK                  |     |     |     |  |
| INSULATION RESISTANCE              | BY DC 500V MEGGER - ≥100MΩ                          |     |     |     |  |
| DIELECTRIC TEST                    | AC 50Hz 1800V - 1min. (Based on rated voltage 380V) |     |     |     |  |
| GEAR RATIO                         | 1 : 21  |     |     |     |  |
| GEAR LUBRICANT                     | GREASE (Filled from factory.)                       |     |     |     |  |
| SERVICE FACTOR                     | 1.29  |     |     |     |  |
| MATERIAL                           | FRAME : STEEL PLATE                                 |     |     |     |  |
|                                    | BRACKET (GEAR SIDE) : CAST IRON                     |     |     |     |  |
|                                    | BRACKET (OPP SIDE) : ALUMINIUM                      |     |     |     |  |
|                                    | GEAR CASE : CAST IRON                               |     |     |     |  |
|                                    | SHAFT (MOTOR) : STEEL                               |     |     |     |  |
|                                    | SHAFT (GEAR OUTPUT) : STEEL                         |     |     |     |  |
|                                    | STATOR CORE : ELECTRICAL STEEL                      |     |     |     |  |
|                                    | WIRE : ENAMELLED COPPER MAGNET WIRE                 |     |     |     |  |
|                                    | INSULATOR : POLYESTER FILM SATURATED WITH RESIN     |     |     |     |  |
|                                    | VARNISH : EPOXY DENATURALIZATION POLYESTER          |     |     |     |  |
|                                    | ROTOR CORE : ELECTRICAL STEEL                       |     |     |     |  |
|                                    | CONDUCTOR : ALUMINIUM                               |     |     |     |  |
|                                    | TERMINAL BOX : STEEL PLATE                          |     |     |     |  |
| PAINTING : POLYURETHANE RESIN      |   |     |     |     |  |
| PRODUCTION COUNTRY                 | THAILAND  |     |     |     |  |

\* This value is calculated by MOTOR RATED SPEED / GEAR RATIO.

( Catalog value is specified by follow Gear maker specification, 50/60Hz = 69/83min<sup>-1</sup> . )

Specifications subject to change without notice.

| SPECIFICATION SHEET NO. |  |  |  |  |
|-------------------------|--|--|--|--|
| SS-M-1410-A             |  |  |  |  |

**MODEL CNHM THREE PHASE INDUCTION MOTOR OUTLINE DRAWING**

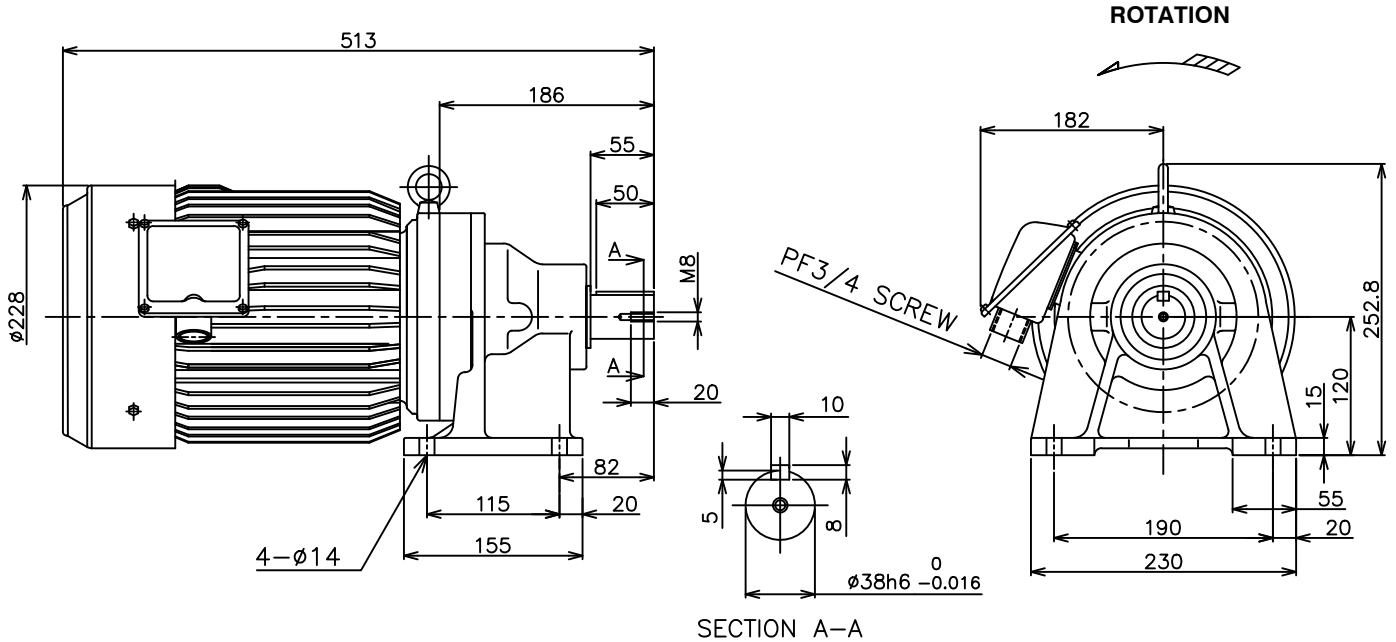
**GEAR MOTOR**

**TOTALLY ENCLOSED FAN COOLED**

**DEGREES OF PROTECTION IP55**

**DUST & WATER JET PROOF**

**CUSTOMER** \_\_\_\_\_  
**USER** \_\_\_\_\_  
**FOR** \_\_\_\_\_  
**CUSTOMER'S ORDER NO.** \_\_\_\_\_  
**QUANTITY** \_\_\_\_\_  
**MFG. ORDER NO.** \_\_\_\_\_



| YOUR ORDER | MOTOR FRAME SIZE | RATING     | TH. CLASS | AMB. TEMP | BEARINGS  |           | COLOR               | DIRECTION OF ROTATION | NO. OF LEAD WIRES | REMARKS |
|------------|------------------|------------|-----------|-----------|-----------|-----------|---------------------|-----------------------|-------------------|---------|
|            |                  |            |           |           | LOAD SIDE | OPP. SIDE |                     |                       |                   |         |
|            | 112M             | S1 (CONT.) | 155(F)    | 40°C      | 6206ZZ    | 6206ZZ    | GRAY (MUNSELL N5.5) | CCW                   | 6                 |         |

| YOUR ORDER | MODEL NAME    | RATIO | SERVICE FACTOR | MOTOR OUTPUT |     | POLE | HERTZ | VOLT        | OUTPUT SPEED (rpm) | LUBRICATION TYPE      | WEIGHT (kg) |
|------------|---------------|-------|----------------|--------------|-----|------|-------|-------------|--------------------|-----------------------|-------------|
|            |               |       |                | HP           | KW  |      |       |             |                    |                       |             |
|            | CNHM5-6120-6  | 1:6   | 1.37           | 5            | 3.7 | 4    | 50    | 220/380/415 | 242                | GREASE <sup>(1)</sup> | 55          |
|            |               |       |                |              |     |      | 60    | 220/440     | 292                |                       |             |
|            | CNHM5-6120-11 | 1:11  | 1.37           | 5            | 3.7 | 4    | 50    | 220/380/415 | 132                |                       |             |
|            |               |       |                |              |     |      | 60    | 220/440     | 159                |                       |             |
|            | CNHM5-6120-15 | 1:15  | 1.37           | 5            | 3.7 | 4    | 50    | 220/380/415 | 97                 |                       |             |
|            |               |       |                |              |     |      | 60    | 220/440     | 117                |                       |             |
|            | CNHM5-6125-17 | 1:17  | 1.53           | 5            | 3.7 | 4    | 50    | 220/380/415 | 85                 |                       |             |
|            |               |       |                |              |     |      | 60    | 220/440     | 103                |                       |             |
|            | CNHM5-6125-21 | 1:21  | 1.29           | 5            | 3.7 | 4    | 50    | 220/380/415 | 69                 |                       |             |
|            |               |       |                |              |     |      | 60    | 220/440     | 83                 |                       |             |
|            | CNHM5-6120-6  | 1:6   | 1.37           | 5            | 3.7 | 4    | 50    | 380/415     | 242                |                       |             |
|            |               |       |                |              |     |      | 60    | 380/440     | 292                |                       |             |
|            | CNHM5-6120-11 | 1:11  | 1.37           | 5            | 3.7 | 4    | 50    | 380/415     | 132                |                       |             |
|            |               |       |                |              |     |      | 60    | 380/440     | 159                |                       |             |
|            | CNHM5-6120-15 | 1:15  | 1.37           | 5            | 3.7 | 4    | 50    | 380/415     | 97                 |                       |             |
|            |               |       |                |              |     |      | 60    | 380/440     | 117                |                       |             |
|            | CNHM5-6125-17 | 1:17  | 1.53           | 5            | 3.7 | 4    | 50    | 380/415     | 85                 |                       |             |
|            |               |       |                |              |     |      | 60    | 380/440     | 103                |                       |             |
|            | CNHM5-6125-21 | 1:21  | 1.29           | 5            | 3.7 | 4    | 50    | 380/415     | 69                 |                       |             |
|            |               |       |                |              |     |      | 60    | 380/440     | 83                 |                       |             |

NOTE : (1) Grease had been filled from manufacturer already.

**MITSUBISHI ELECTRIC AUTOMATION (THAILAND) CO., LTD.**

|             |                  |                     |                          |      |
|-------------|------------------|---------------------|--------------------------|------|
|             |                  | OUTLINE DRAWING NO. | <b>0 M M 1 4 0 4 4 4</b> | REV. |
|             | DIMENSION IN mm. |                     |                          |      |
| SCALE : NTS |                  |                     |                          |      |